



Kitchen Measurement Guide

Tools You Will Need:



Tape Measure



Notepad & Pencil

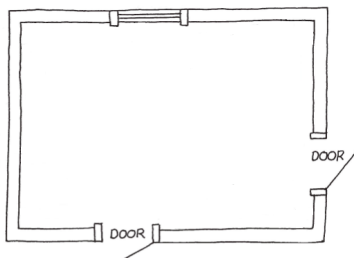


Pro Tip: Record all your measurements in inches instead of feet and inches. This will save you time later. All cabinet and appliance sizes are listed in inches. For instance a three foot base cabinet is a Base 36 or B36.

Step 1: Sketch your Kitchen.

Create a rough birds eye or plan view sketch of your kitchen.

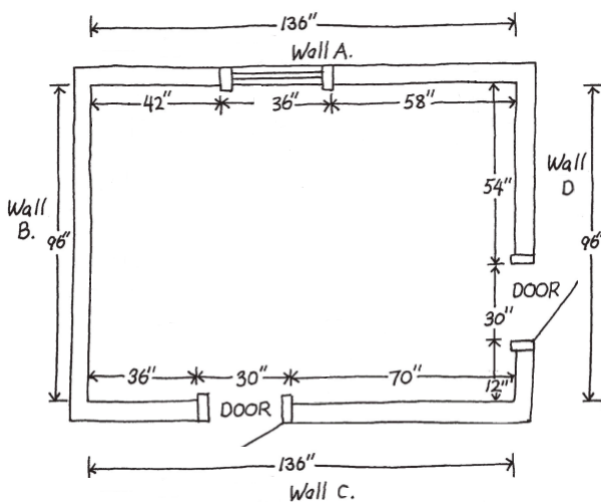
Ex.



Step 3: Measure the windows and door openings and where they are located on the wall.

Update your sketch with your measurements.

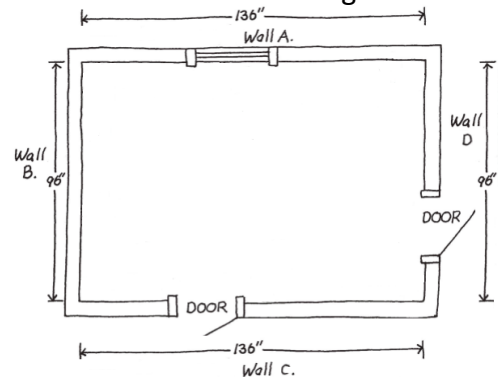
Ex. Wall A has a window that is 36 in wide and 44 in tall. It is located 42 in from the Wall BA corner. The bottom of the window is 36 in from the floor.



Step 2: Measure the walls.

Measure each wall. You will need the Width and Height dimensions. For each wall make a note of any soffits or pipes that hang down on the wall. Update your sketch with your measurements.

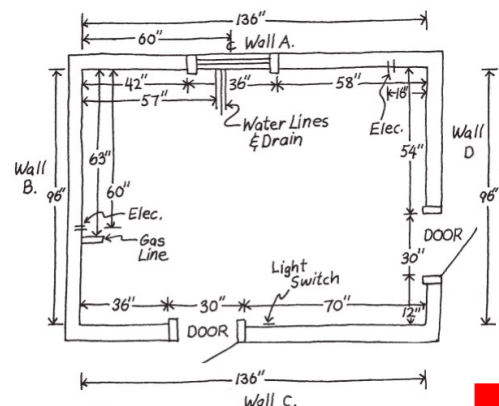
Ex. Wall A: 136 in Width and 96 in Height.



Step 4: Measure the where the outlets, plumbing, and gas lines are located on the wall.

Update your sketch with your measurements.

Ex. Wall A has a water line and drain located 57 in from the WallBA corner. Wall A has an electrical outlet located 18 in from the WallAD corner.





Kitchen Measurement Guide

Step 5: Measure your appliances.

Log the measurements in the chart below.

Ex. Refrigerator is 36 in Wide and opens on the right.

Appliance:	Width:	Type/Model:
Range Stove:	_____	_____
Cooktop:	_____	_____
Exhaust Hood:	_____	_____
Wall Oven:	_____	_____
Microwave:	_____	_____
Dishwasher:	_____	_____
Sink:	_____	_____
Disposal:	_____	_____
Compactor:	_____	_____
Freezer:	_____	_____
Refrigerator:	_____	_____
_____:	_____	_____
_____:	_____	_____
_____:	_____	_____

Step 6: Take Pictures of your space.



Take pictures of your kitchen with a camera or your phone. This will help our designers better understand the space and make sure nothing was missed.



Step 7: Bring your sketch and measurements to Tommy D's.

Bring your measurements to us. One of our experienced designers will work with you to design your dream kitchen. Start looking through the cabinets on our website to find a cabinet door style and color you love!

2600 E. Tioga St., Philadelphia, PA 19134

Email: Sales@TommyDsOnline.com

Phone: 215-471-0100

Website: www.TommyDs.com



Pro Tip: Measure Twice, Cut Once! It is worth the extra effort to double check all of your measurements. Take a lot of photos. A photo is worth 100 measurements!



**Congratulations! You have finished measuring your kitchen!
See you soon!**



Kitchen Measurement Guide

A large, empty grid of small squares occupies the central portion of the page. The grid is composed of 20 columns and 30 rows of squares, providing a space for users to draw and measure kitchen layouts.